

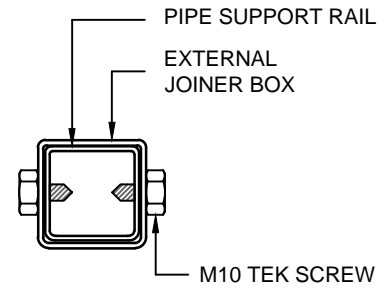
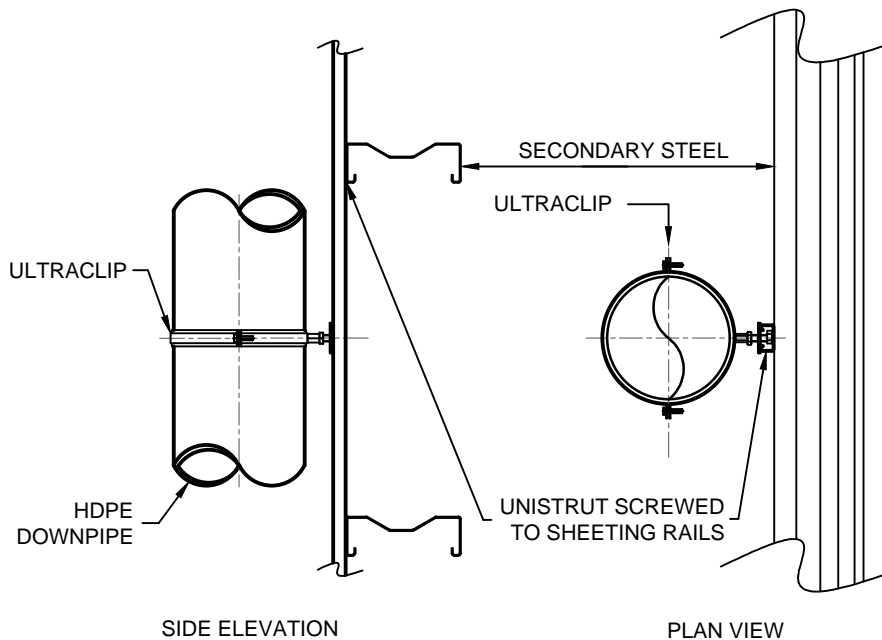
TYPICAL PIPE TO RAIL FIXING DETAILS

SCALE: NTS INDICATIVE ONLY

TYPICAL SECTION

SCALE: NTS INDICATIVE ONLY

1
-



TYPICAL SECTION

SCALE: NTS INDICATIVE ONLY

2
-

TYPICAL SIPHONIC DOWNPIPE FIXING DETAIL

SCALE: NTS INDICATIVE ONLY

Ultraflow
SIPHONICS | STORMWATER | PIPELINE | INDOOR CLIMATE

A.B.N. 52 168 136 570
Unit 27/6-8 Herbert St.
ST LEONARDS, NSW 2065
PH: +61 2 9482 1256
FAX: +61 2 9482 1412
ULTRAFLOW SIPHONICS Pty Ltd

PROJECT:
**GENERAL
DETAILS**

TITLE:
**TYPICAL PIPE TO RAIL
FIXING DETAIL**

DRAWING NO: **UF_FIXING-PIPE TO RAIL**

THIS DRAWING AND DESIGN IS THE COPYRIGHT OF ULTRAFLOW SIPHONICS PTY LTD AND MAY NOT BE USED AND/OR REPRODUCED WITHOUT PRIOR WRITTEN CONSENT.