

# Siphonic Outlet Technical Data Sheet

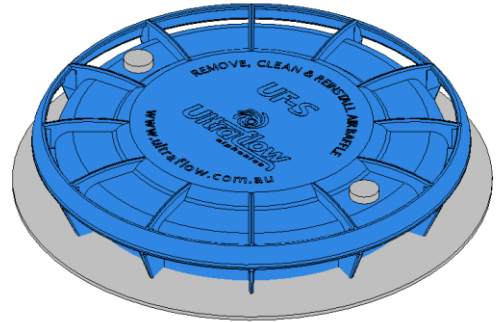
## Introduction

ULTRAFLOW outlets are made from stainless steel sheets in accordance with AS/NZS 2179.1-2014 and are available in a variety of diameters:

**UF63** (63mm) - apartments and small roofs

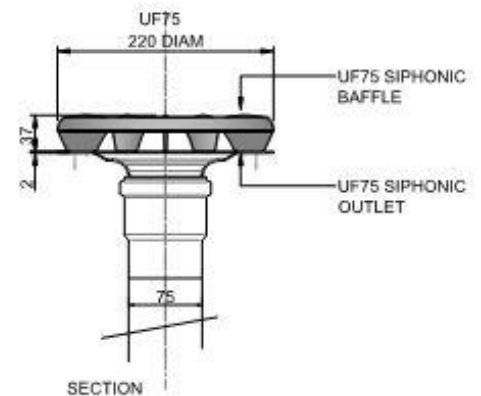
**UF75** (75mm) - car parks and medium sized roofs

**UF110** (110mm) - large buildings



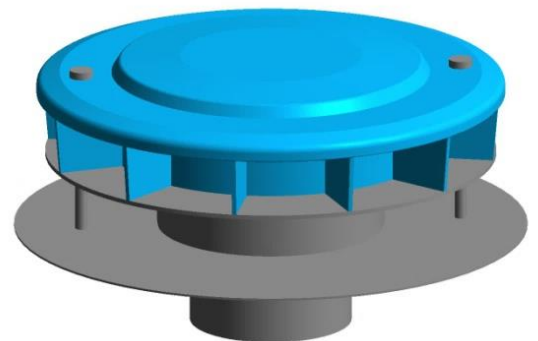
The ULTRAFLOW siphonic outlet comes with an air baffle made from UV- Stabilised HDPE designed to limit air intrusion into the pipework. The outlet spigots are machined to the same measurement tolerances as HDPE pipe for connection with a flexible rubber fitting.

Where required, ULTRAFLOW Siphonic overflow outlets are available and should be designed to discharge externally of the building in a visible location, to alert the building occupier of any overflow event.



## Features and Benefits

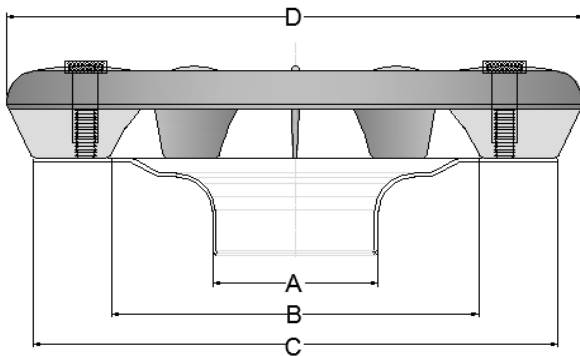
- ✓ Fewer outlets required due to higher flow rates
- ✓ Time & Cost effective drainage solutions
- ✓ Safe and easy installation
- ✓ Excellent durability and UV resistance
- ✓ Reduces maintenance work of gutter
- ✓ Greater aesthetic appeal and design innovation
- ✓ Perfect for rainwater harvesting
- ✓ Comprehensive product range



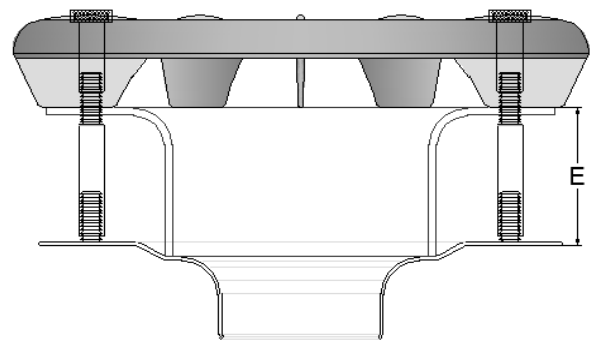
## Product Details / Inclusions

	Base	Air Baffle	Grate & Sump	Barrel Nuts
<b>Material</b>	Stainless Steel 316	UV Stabilised HDPE	Stainless Steel 316	Stainless Steel 303
<b>Colour</b>	Natural	Blue/Black	Natural	Natural
<b>Details</b>	Spun Stainless Steel	Air intrusion limiting & debris guard	Class-C heel friendly	Finger tightened Knurled finished

**Siphonic Main Outlet**



**Siphonic Overflow Outlet**



Outlet	Spigot Diameter, A (mm)	Gutter Hole Dimensions, B (mm)	Base Plate Dimensions, C (mm)	Air Baffle Dimensions, D (mm)	Typ. Overflow Height, E (mm)	Typ. Flow Rates (l/s)
<b>UF63</b>	63mm	140mm circular	200mm circular	220mm	55mm	4 – 15
<b>UF75</b>	75mm	160mm circular	250mm circular	220mm	55mm	8 – 22
<b>UF110</b>	110mm	230mm circular	350mm circular	320mm	55mm	12 – 35

## Further Product Information

For further product information please contact us on +64 2 9482 1256 or by email on [design@ultraflow.com.au](mailto:design@ultraflow.com.au).

### Disclaimer

All information in our Technical Data Sheet is based on our current knowledge and experience. The whole siphonic system shall be installed only by fully trained and qualified personnel approved by the siphonic contractor. A formal training and induction program should be completed by all siphonic installers, under the supervision of a siphonic specialist. All the products in this Technical Data Sheet are the copyright of ULTRAFLOW SIPHONICS PTY LTD and cannot be used and/or reproduced without prior written consent.